



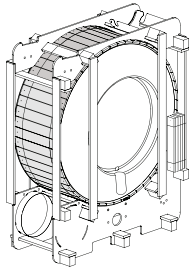
*Welteoree*<sup>®</sup>  
**DUTCHTUB WOOD**

For unpacking your Dutchtub

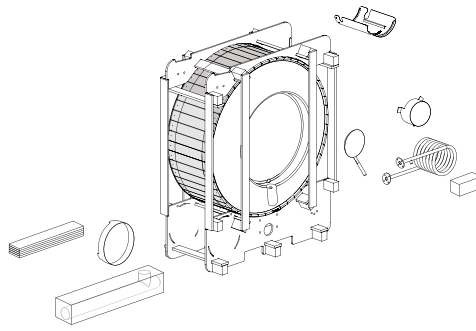
Wood you need:

- 2 persons
- A hammer
- Scissors
- Allen key (included)

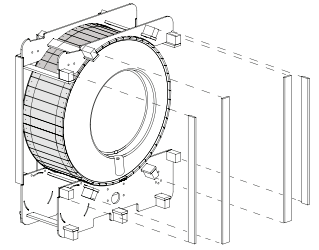
# **INSTRUCTIONS FOR UNPACKING**



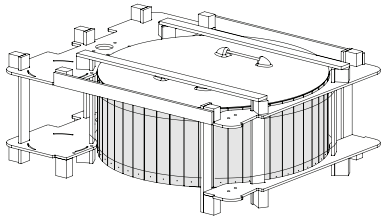
1 The image above shows the right positioning of the crate



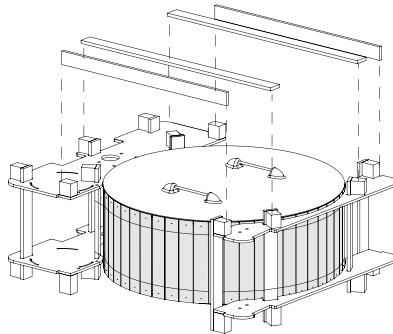
2 Take out the accessories from the crate



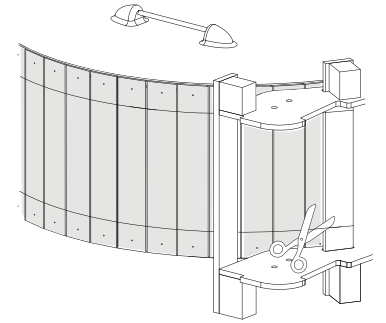
3 Remove the boards on the front side of the crate



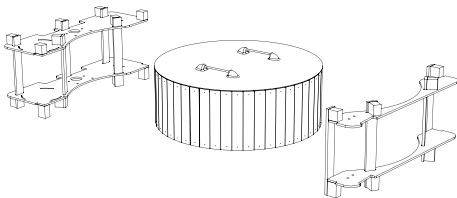
4 Finish this step with at least 2 persons. Place the crate flat on the floor



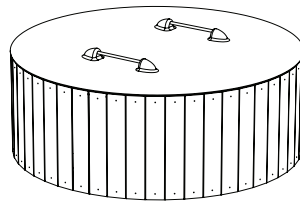
5 Remove the boards which are on top of the crate



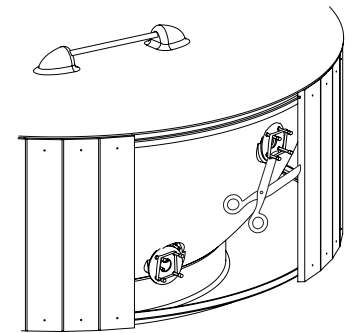
6 Cut the ties



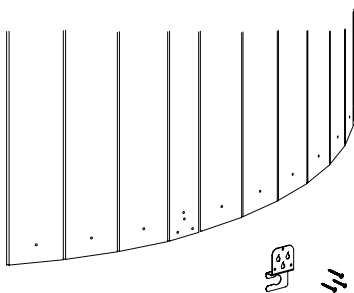
7 Remove the wooden parts with the foil which is strained around the Dutchtub Wood



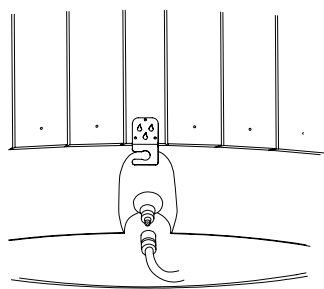
8 Your Dutchtub is now free from the crate. For further instructions, please read the Dutchtub manual



9 Remove the tie-wraps and loosen the screws, make sure the flange does not fall



10 Assemble the drainage plate on the other side of the Dutchtub Wood



11 Attach the supplied hose on the bottom of the Dutchtub Wood