



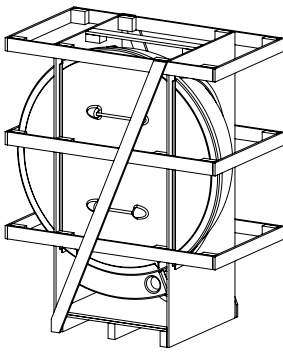
Welteoree[®]
DUTCHTUB ORIGINAL

For unpacking your Dutchtub

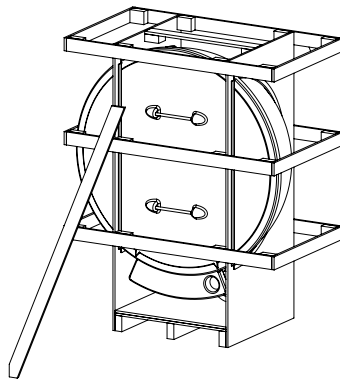
Original you need:

- 2 persons
- A hammer
- Scissors
- Allen key (included)

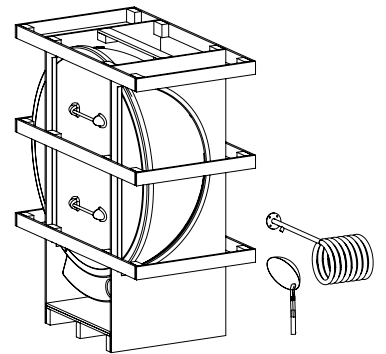
INSTRUCTIONS FOR UNPACKING



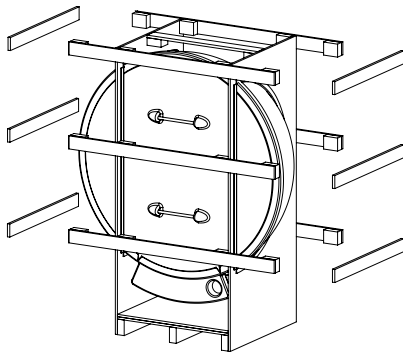
1 The image above shows the right positioning of the crate



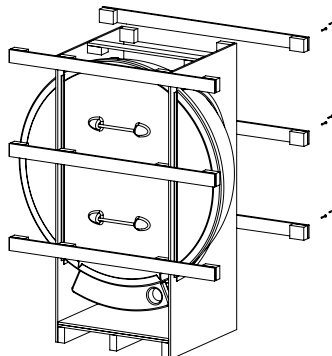
2 Remove the diagonal board



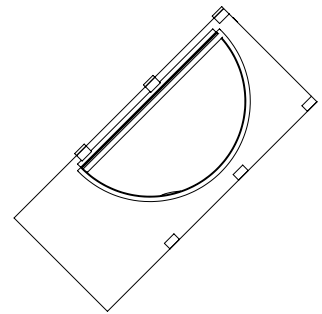
3 Take out the accessories from the crate



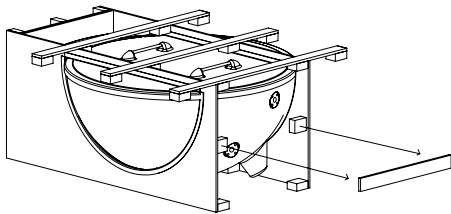
4 Remove the boards on the left and right side of the crate



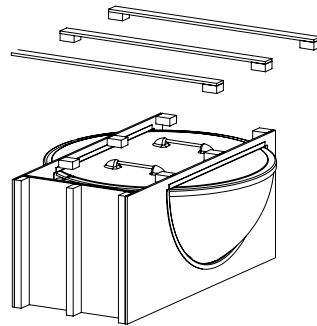
5 Remove the screws from the boards on the back and take of the boards



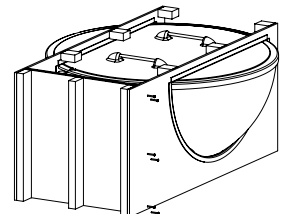
6 Finish this step with at least 2 persons. Place the crate flat on the floor



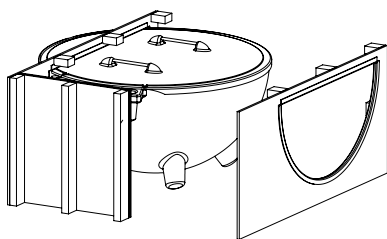
7 Remove the board on the upper side



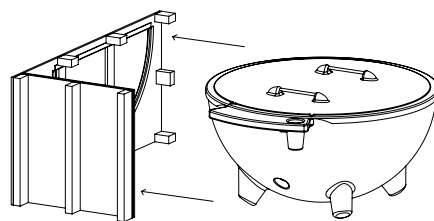
8 Remove the boards which are on top of the crate



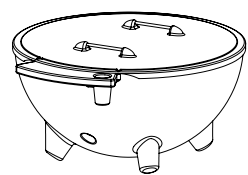
9 Remove the screws which mount the right plate to the pallet construction



10 Remove the plate



11 Remove the remaining parts of the crate



12 Your Dutch tub is now free from the crate. For further instructions, please read the Dutch tub manual